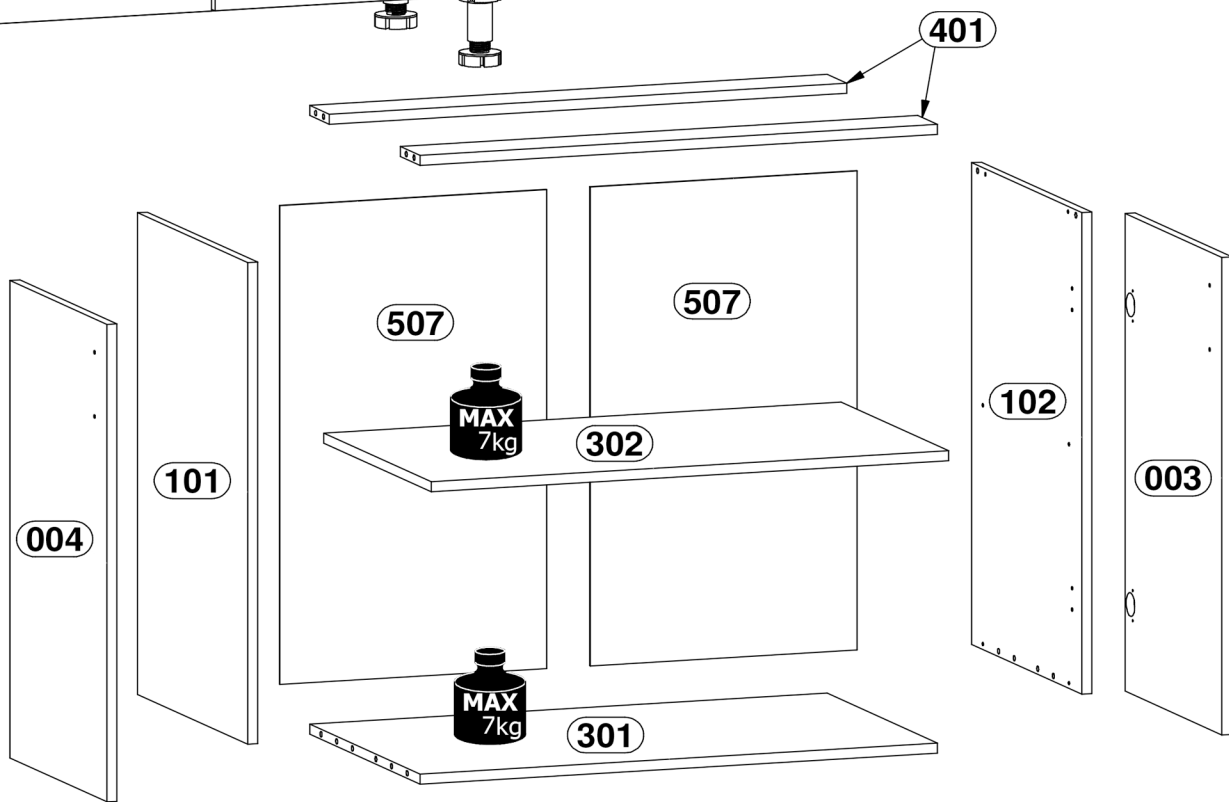
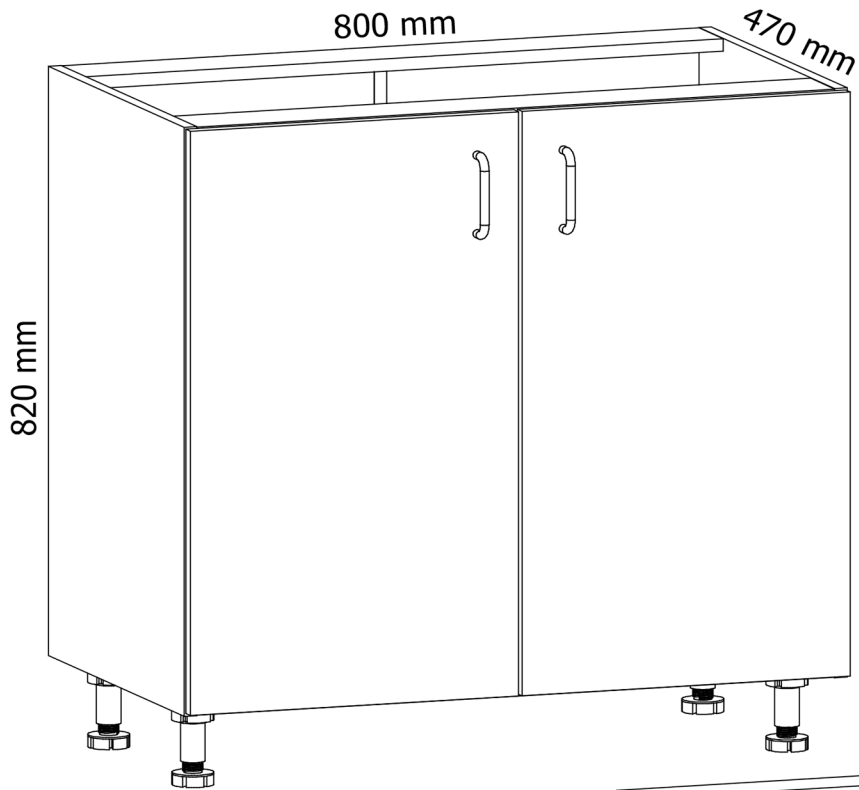





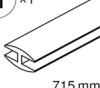
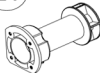




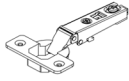



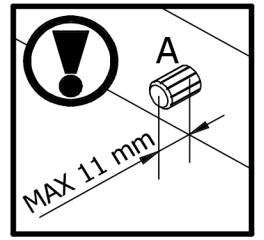
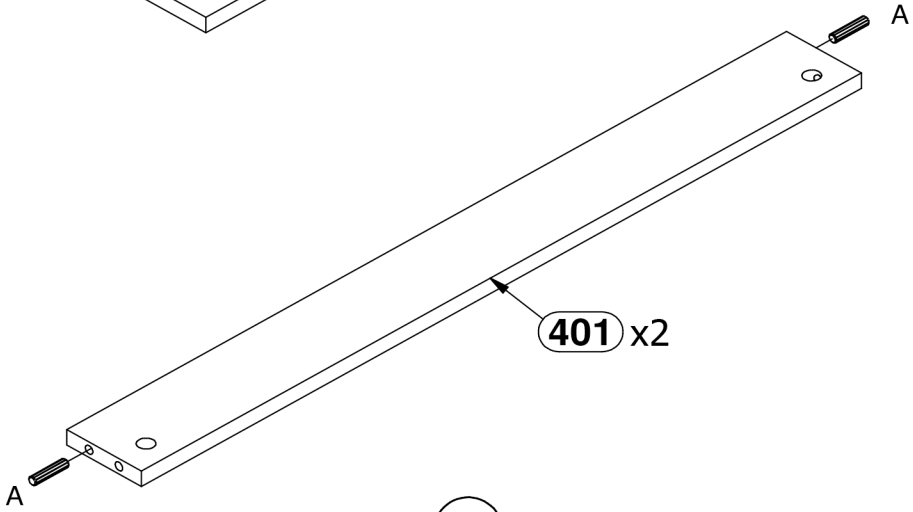
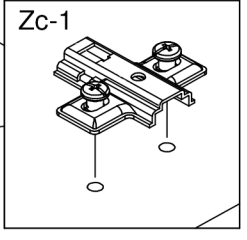
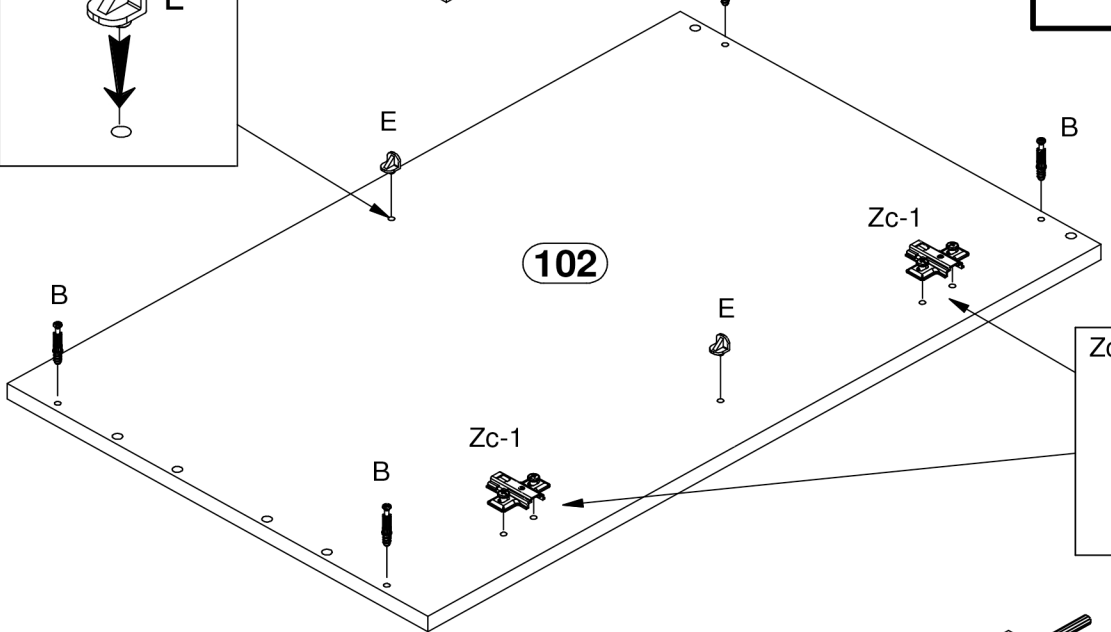
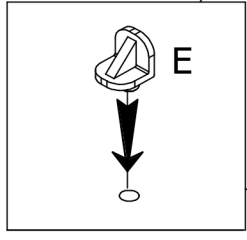
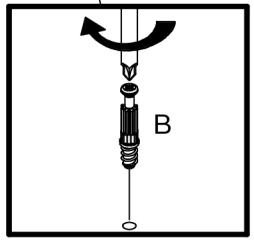
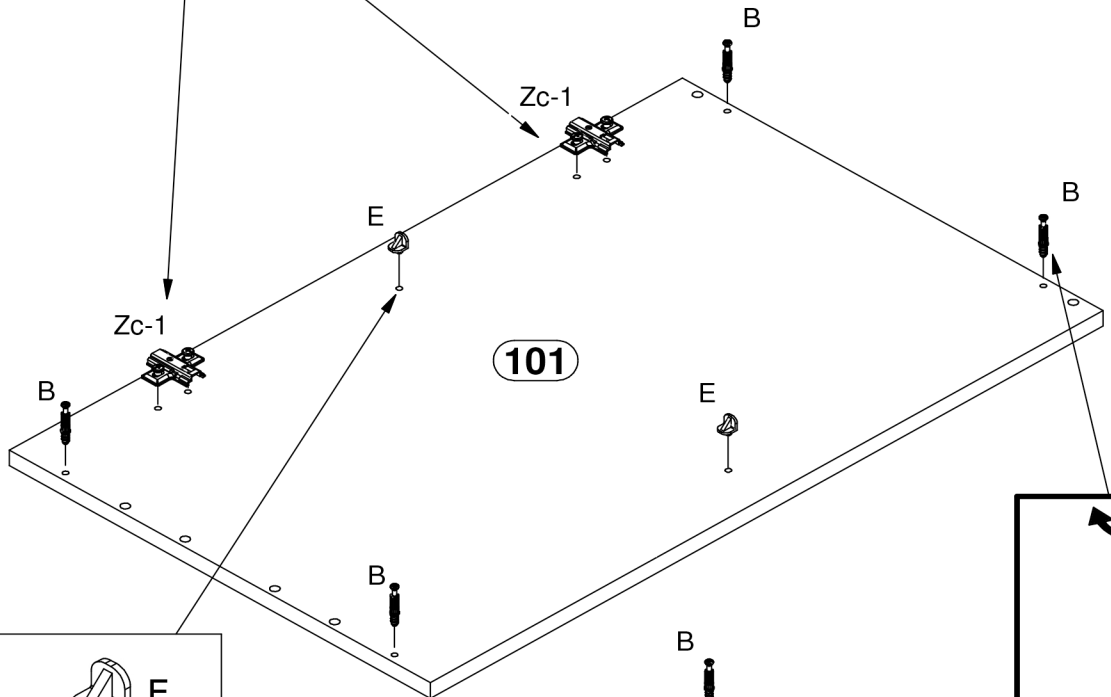
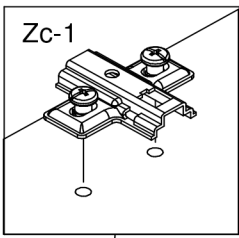
# D80

# S80

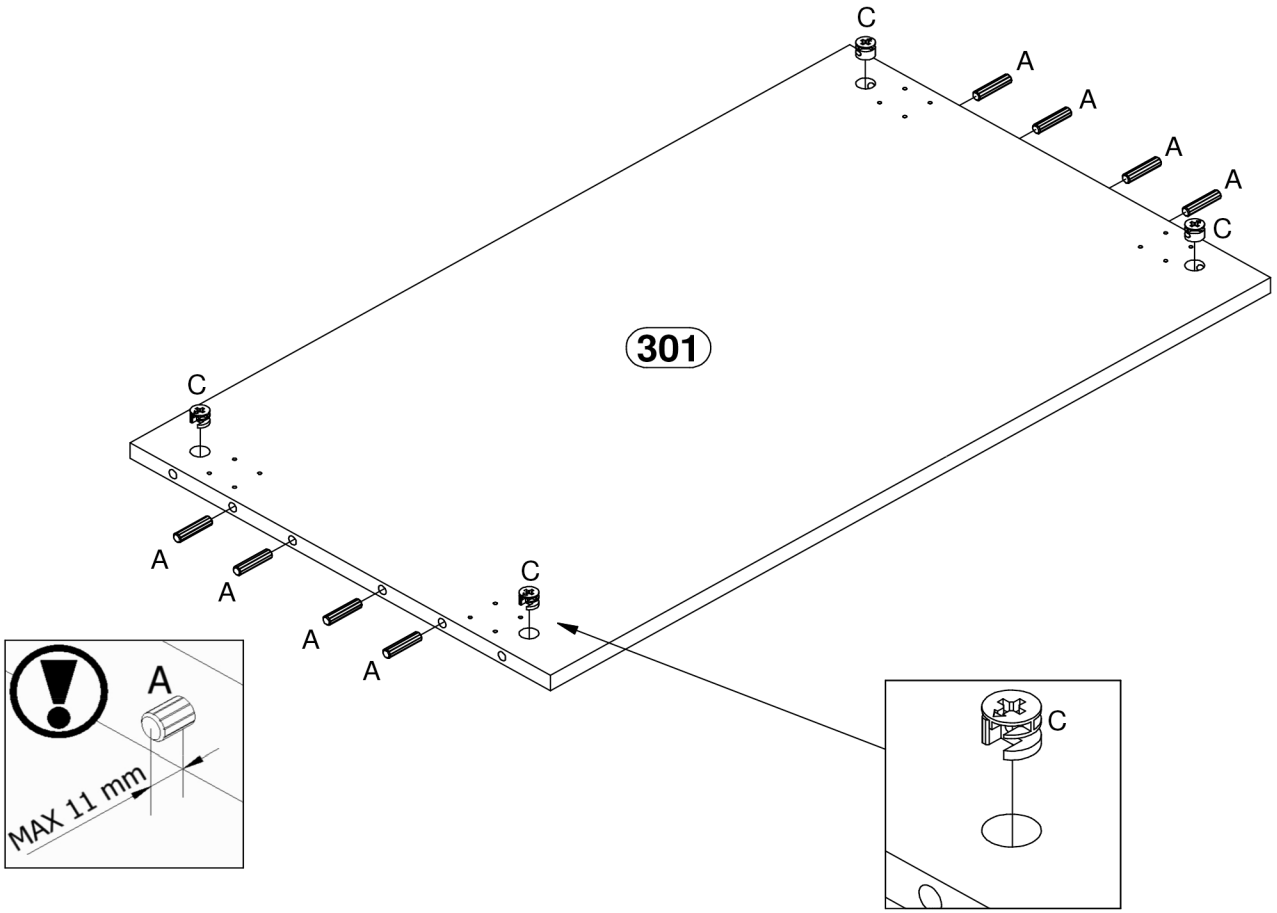


<b>A</b> x12  Ø8x35mm	<b>B</b> x8  Ø15x12mm	<b>C</b> x8  Ø15x12mm	<b>E</b> x4 
<b>G</b> x34 	<b>H</b> x1  715 mm	<b>L1</b> x4 	<b>M</b> x2 
<b>W2</b> x24  Ø3,5x16	<b>Y</b> x8  Ø18 mm	<b>Zc</b> x4  Zc-1  Zc-2	
			

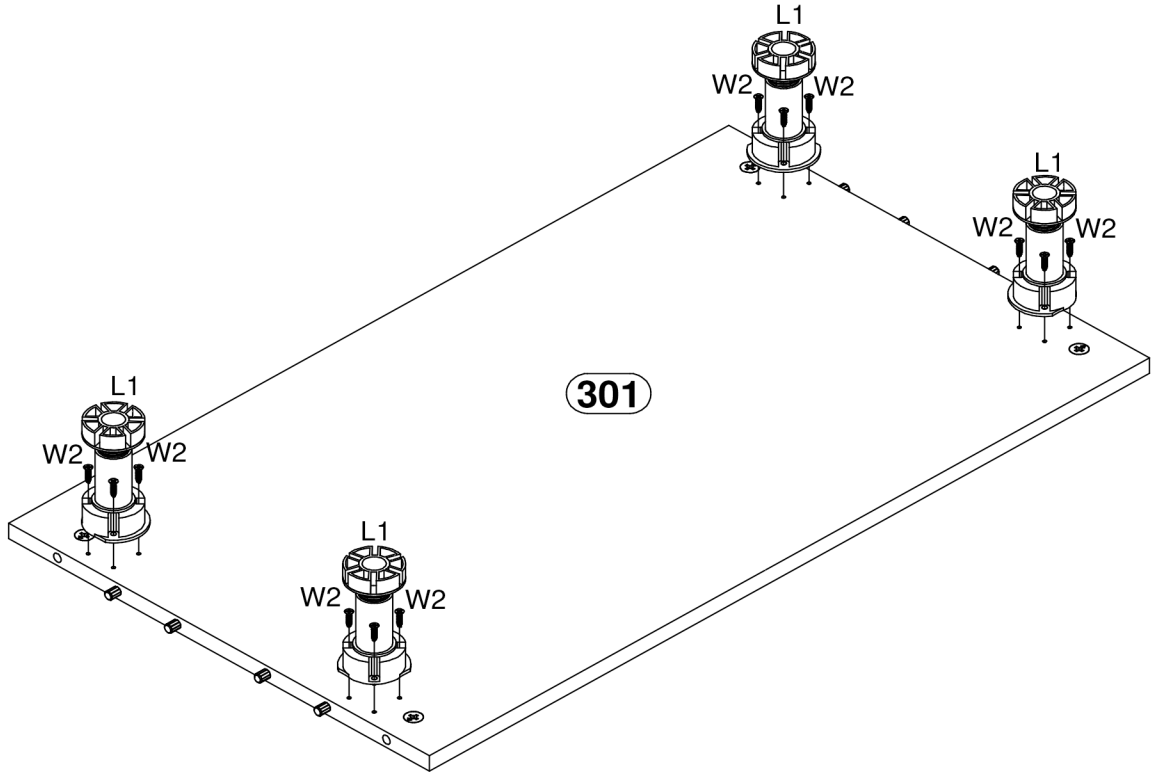
**1**



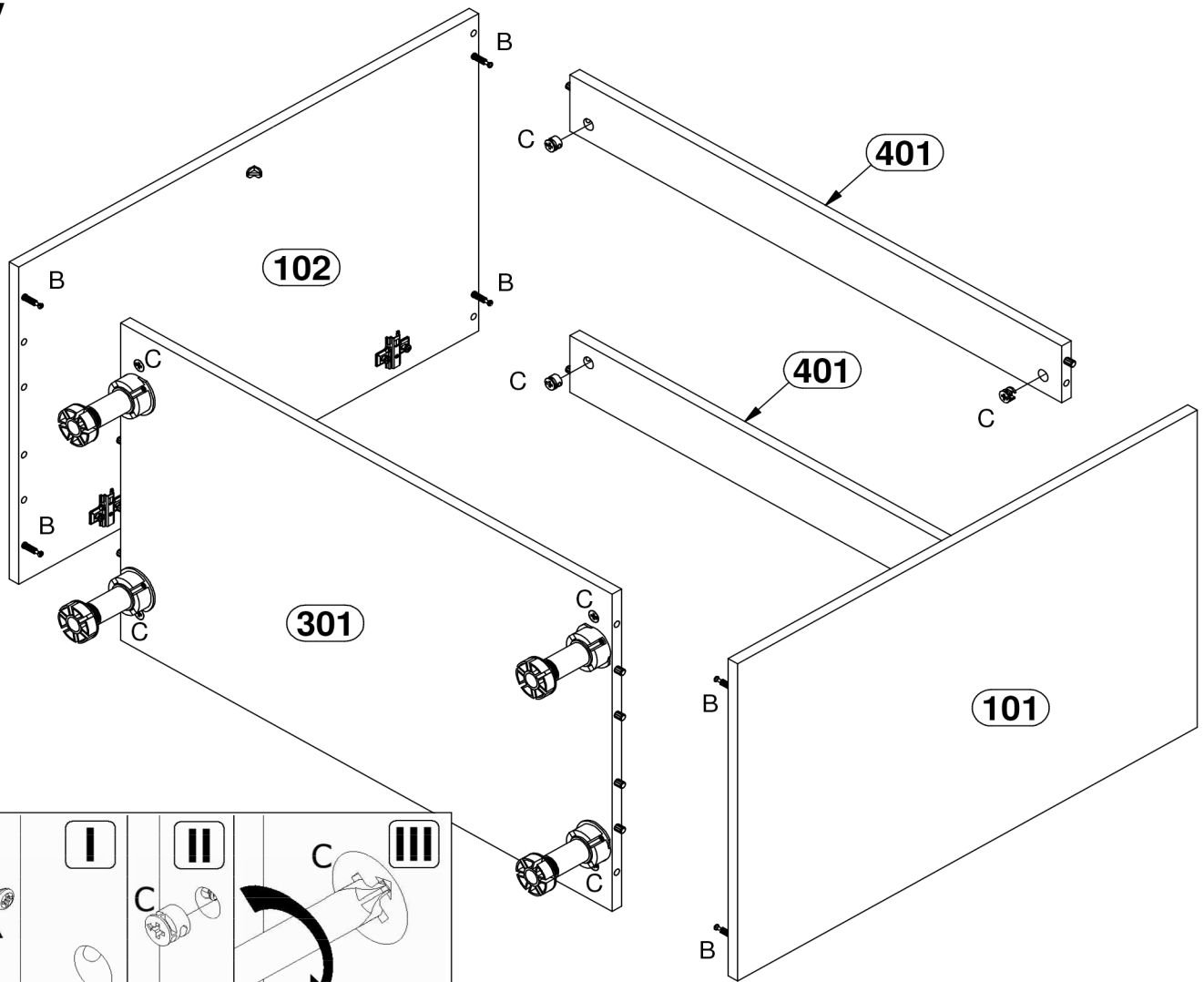
# 2



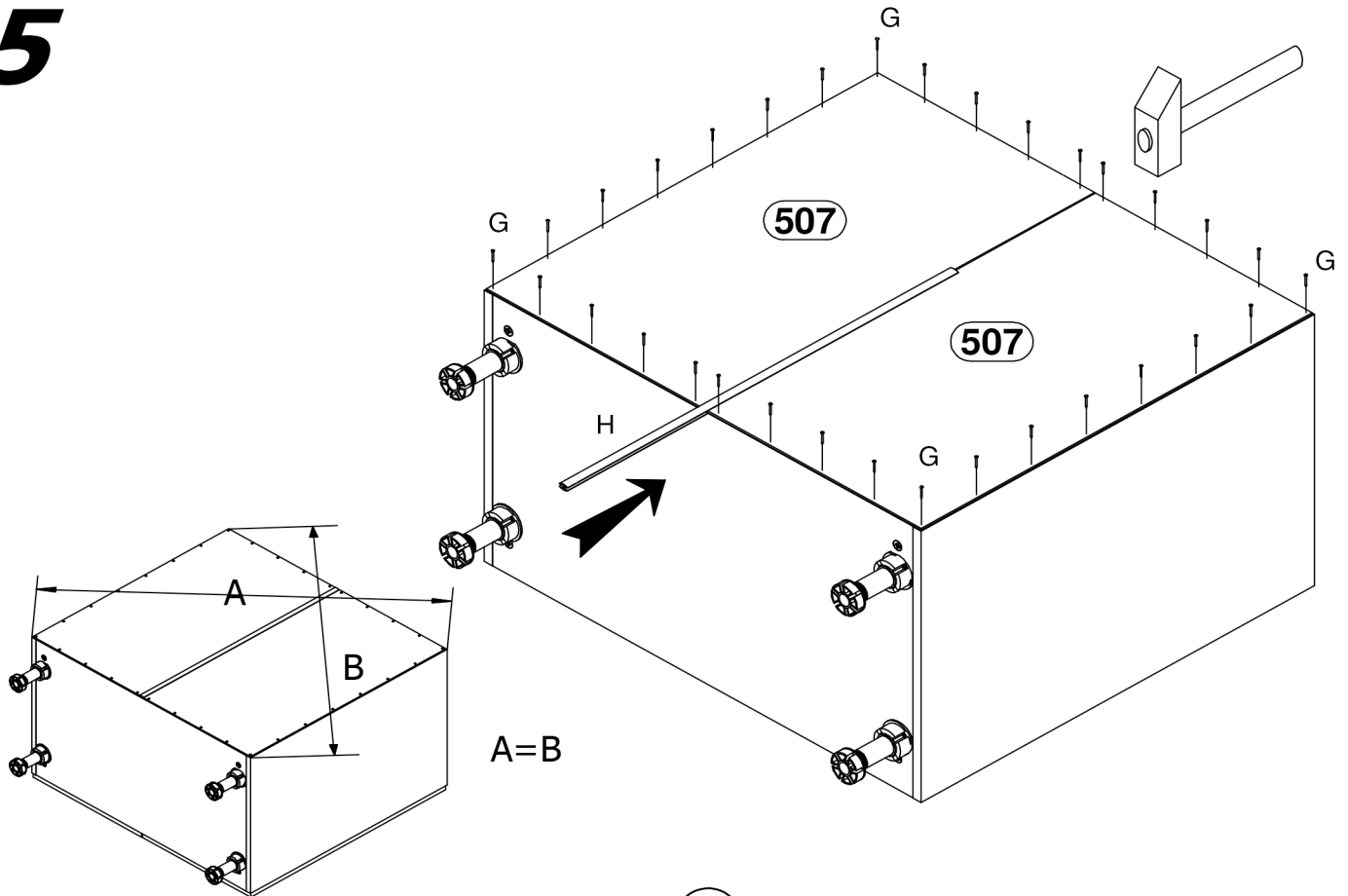
# 3



# 4

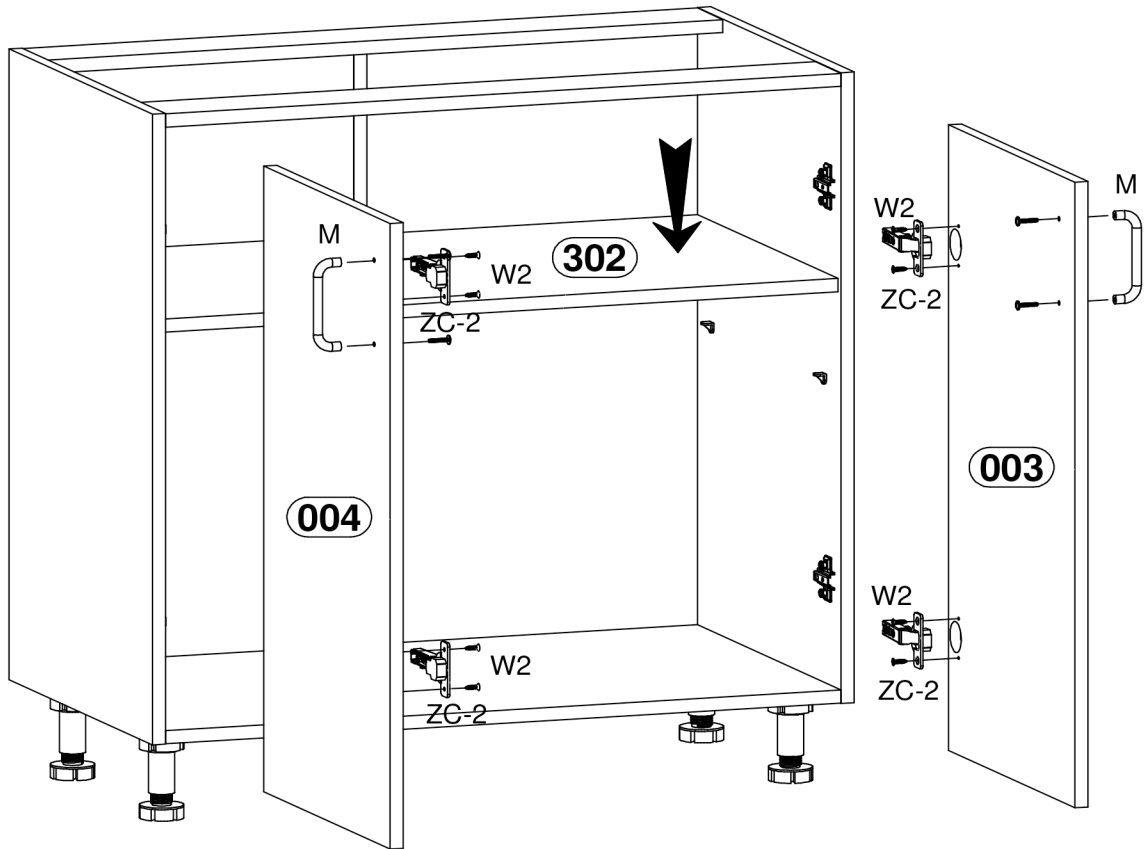


# 5

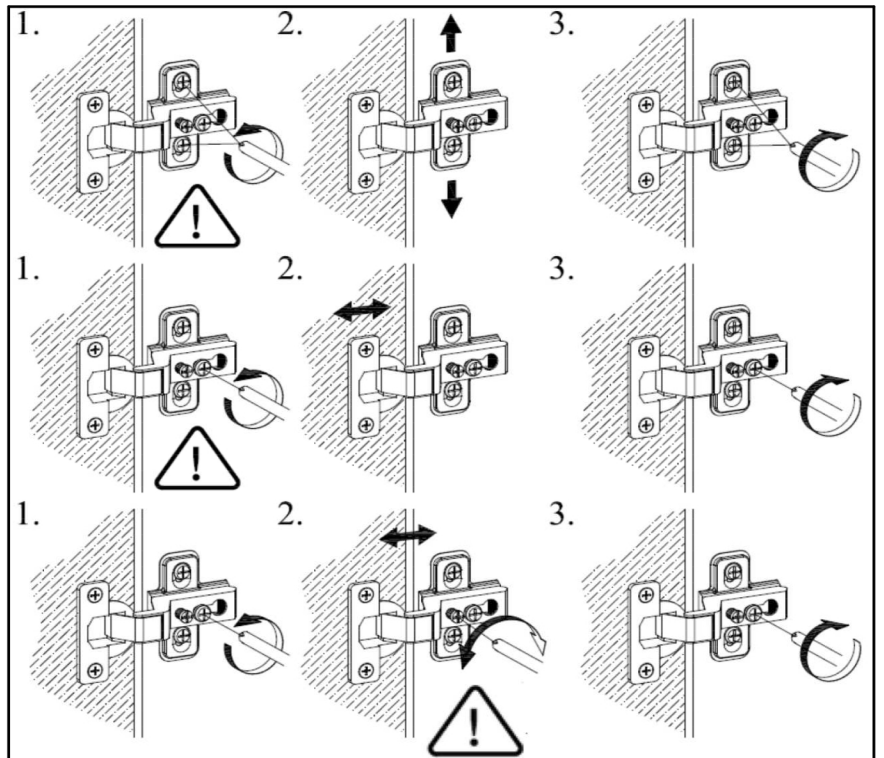
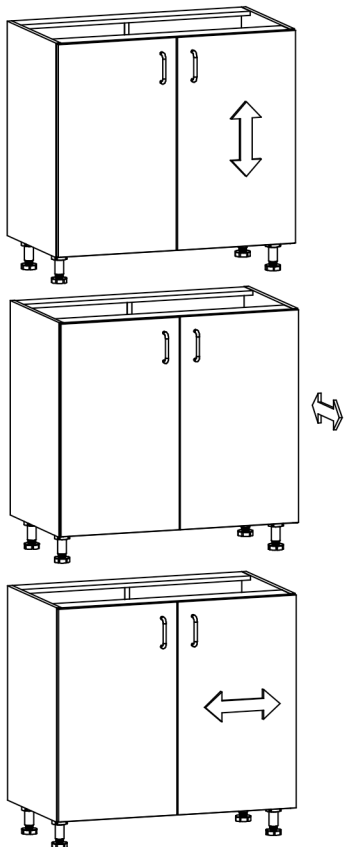


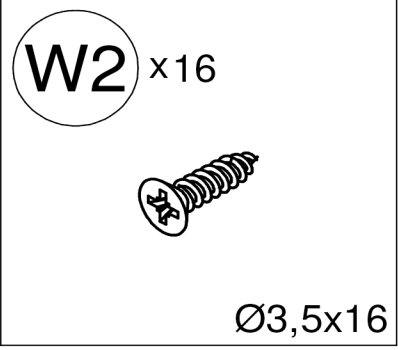
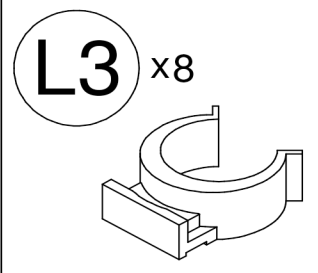
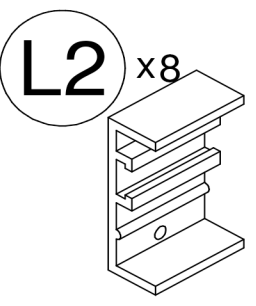
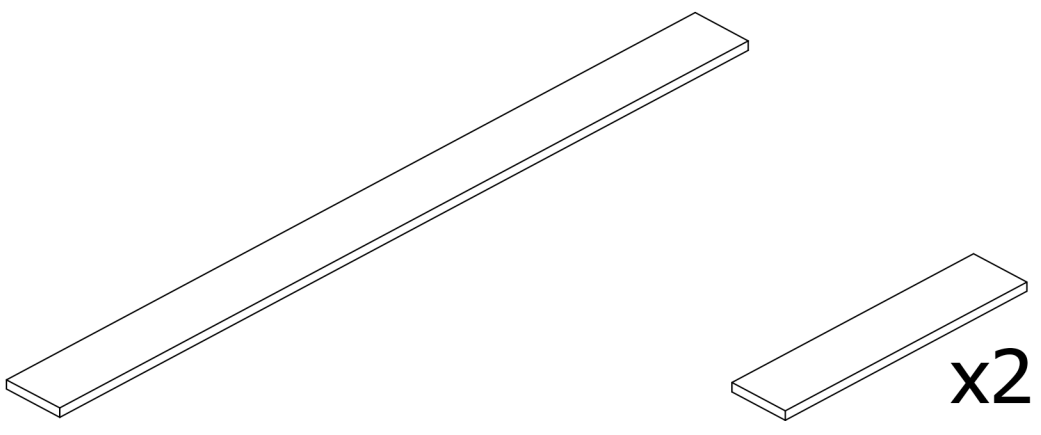
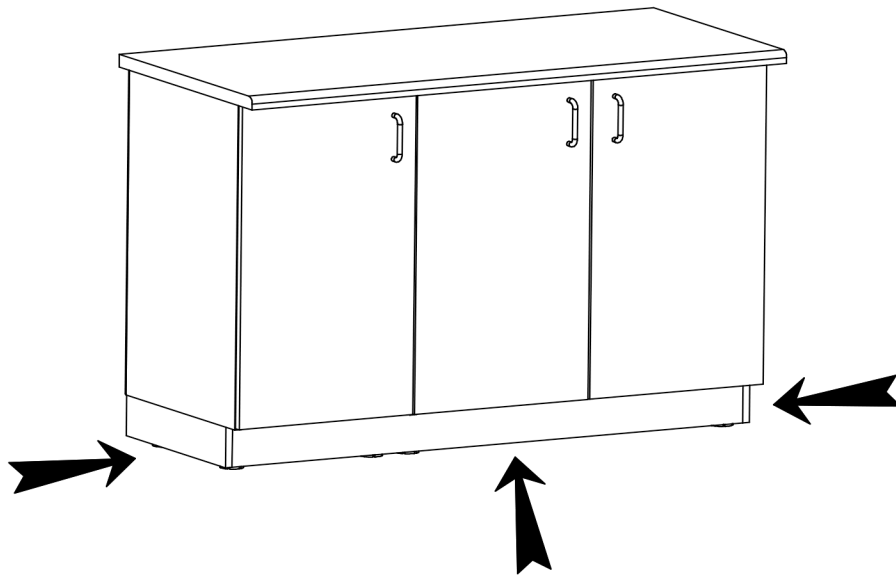


# 6

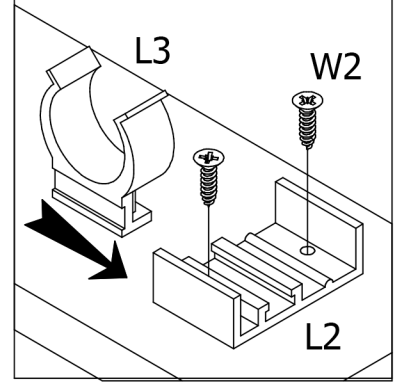
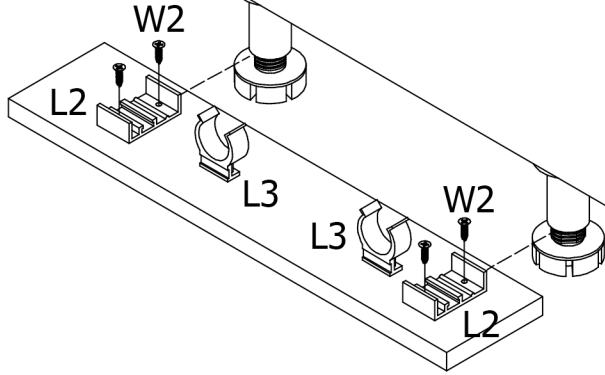


# 7





8



9

